



DATA SHEETS

FAN - FERODO CLUTCH SYSTEMS



Product specifications

HW Ventilation centrifugal clutches are designed for applications in which a gearmotor attached to a fan is directly coupled with the motor shaft and has to start quickly at a high rpm. In these situations, it is recommendable the usage of a clutch that engages the fan gradually, in order to prevent the risk of breakage.

Our **ferodo clutches** are designed to be installed on 12 or 16 blade aluminum hubs. The blade configuration can be decided by the user (i.e. 12-12, 12-8, etc.) and the setting angles are variable and adjustable in the range of 20° - 50°, depending on the blade model. The blades that can be employed with our variable pitch hubs can have an **airfoil profile** (TM), or a **sickle profile** (C, F) and are available in a **huge variety of materials** (polypropylene, polyamide, ATEX, aluminum).



Applications

Agricultural sprayers



Features

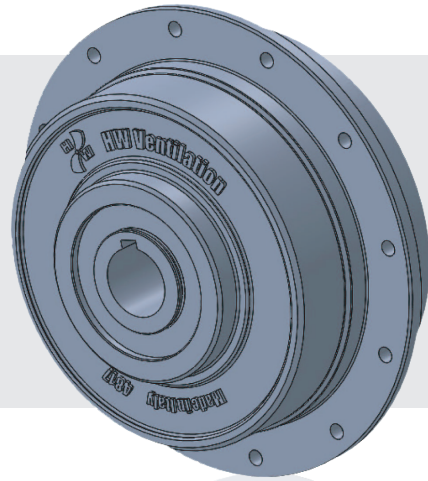
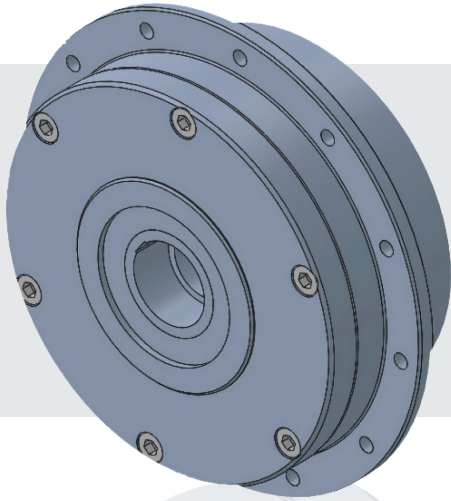
- The clutch engages gradually at **800 rpm**
- **146,7 Nm** torque – **49,5 HP (36,9 kW)** at **2400 rpm**
- Average friction coefficient of the clutch friction material: **0,45 μ**
- **Clutch case made of cast iron** and coated with an **innovative cationic epoxy electrocoating**
- **Excellent corrosion-resistance**
- **Lead free formulation**
- **High resistance to dust**, atmospheric agents and chemicals
- No maintenance required
- Our clutches go through thorough **testing**



Models

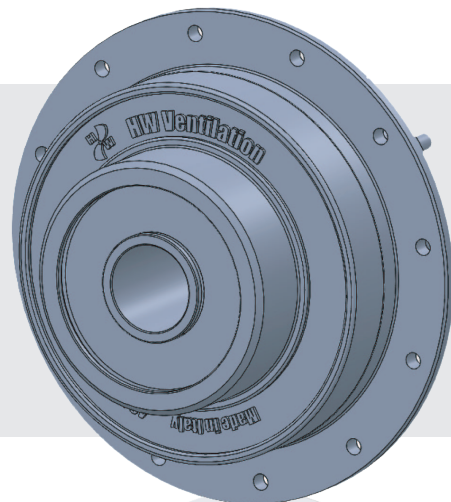
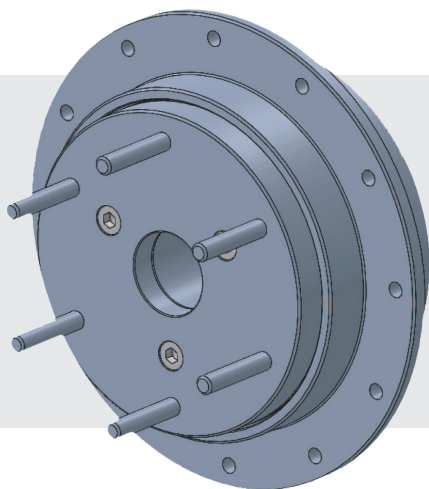
- **FRZ#0001**

Clutch for 12/16 blade flanges - max hole Ø35 H7 keyway UNI (~54 HP / 40 kW)



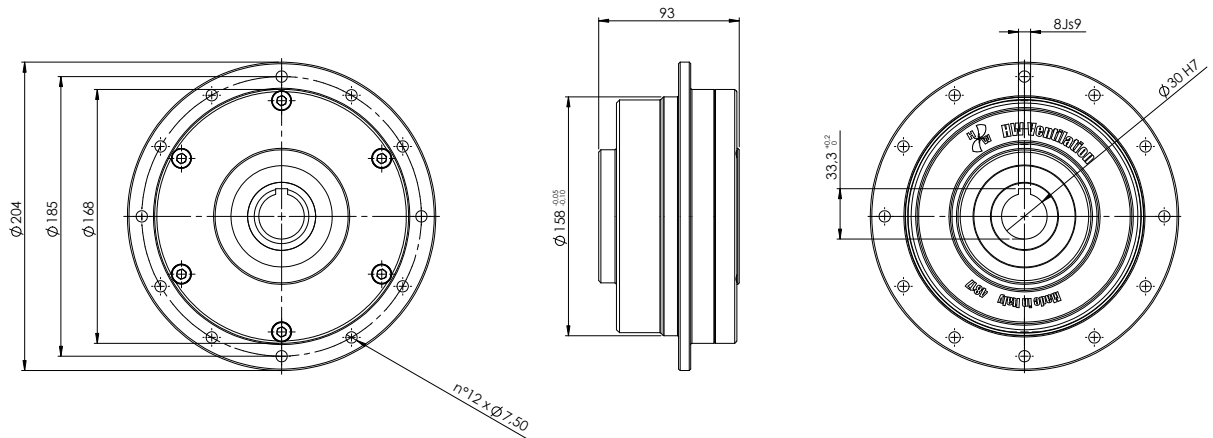
- **FRZ#0002 (coupled with a gearmotor through studs)**

Clutch for 12/16 blade flanges - flanges with M8 studs int. Ø115 (~54 HP / 40 kW)

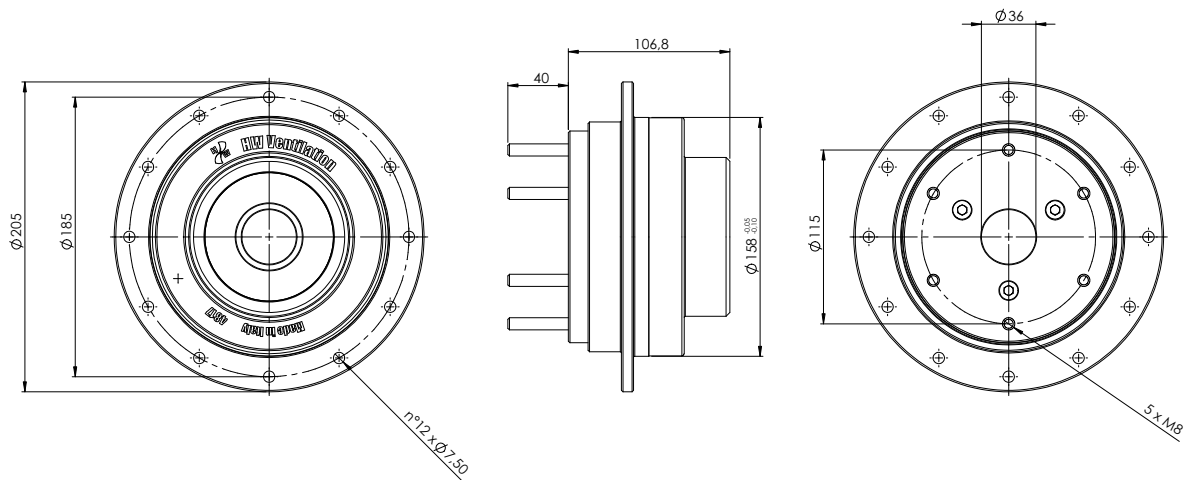


Drawings and dimensions

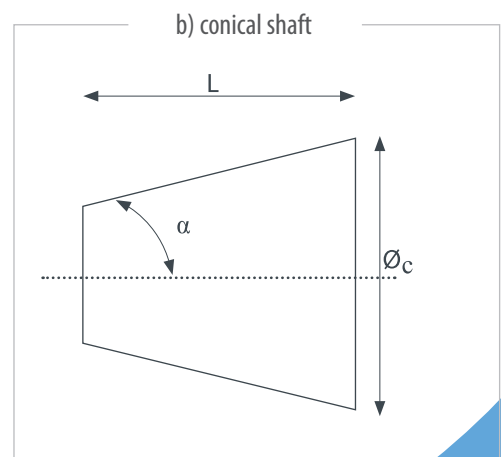
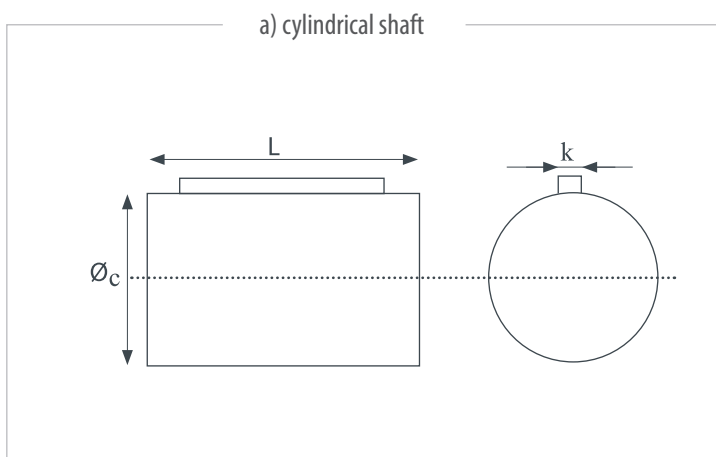
• FRZ#0001



• FRZ#0002

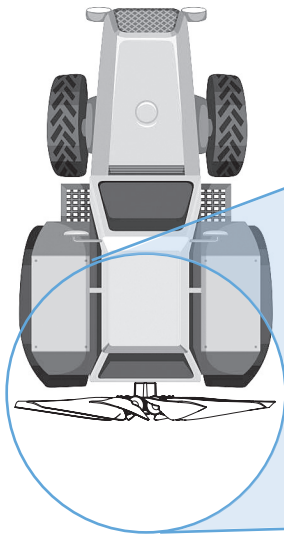


• CUSTOM CENTRAL HOLE

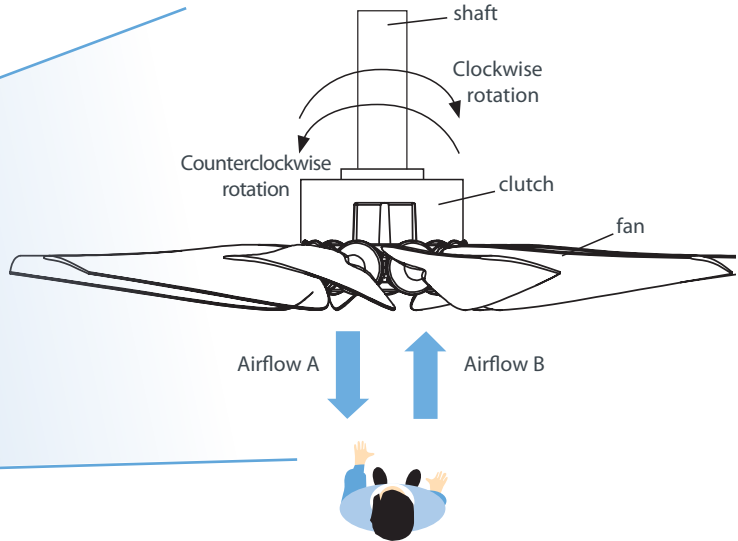




Type of airflow

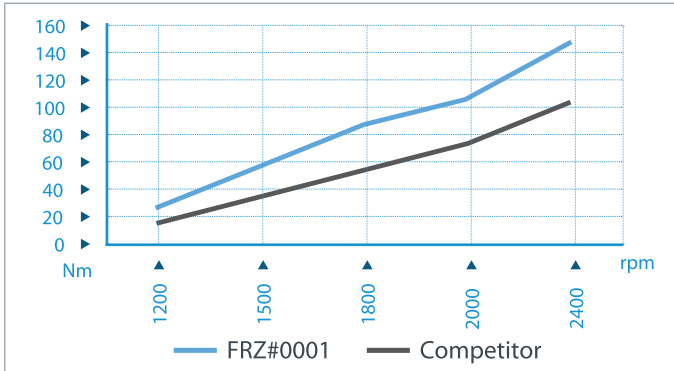


FAN-CLUTCH OUTLINE



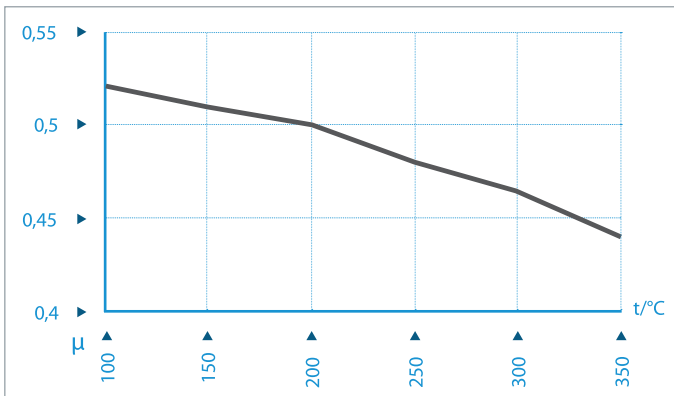
Performances

TORQUE



146,7 Nm torque
49,5 HP (36,9 kW) at 2400 rpm

FRICITION COEFFICIENT

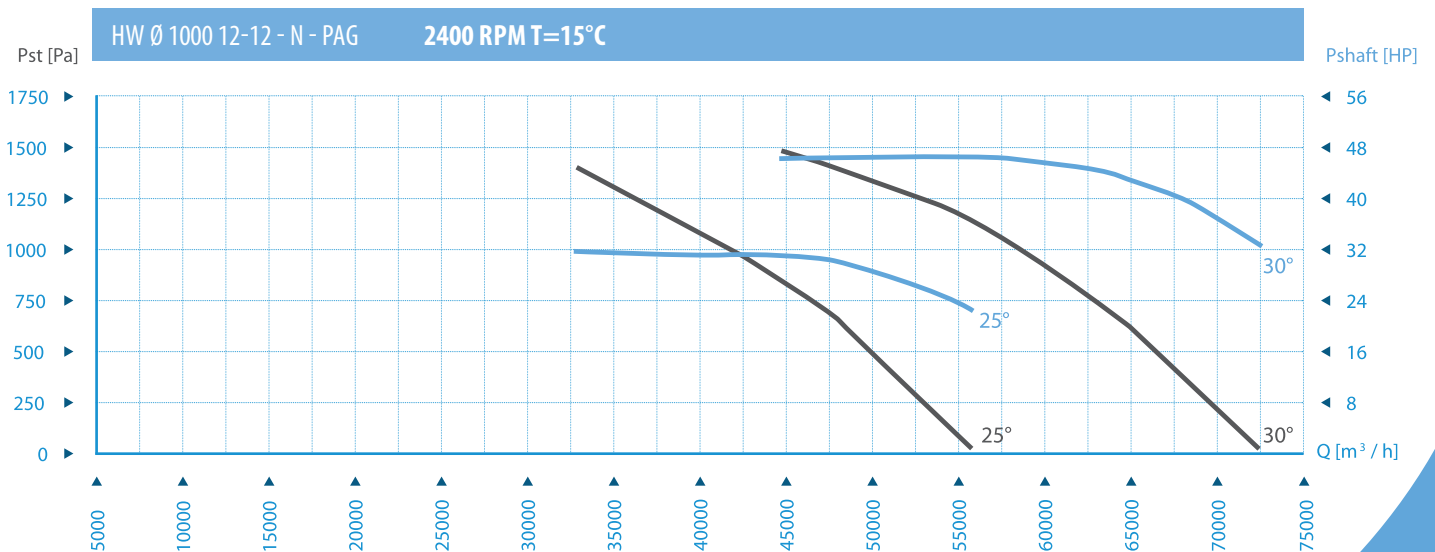
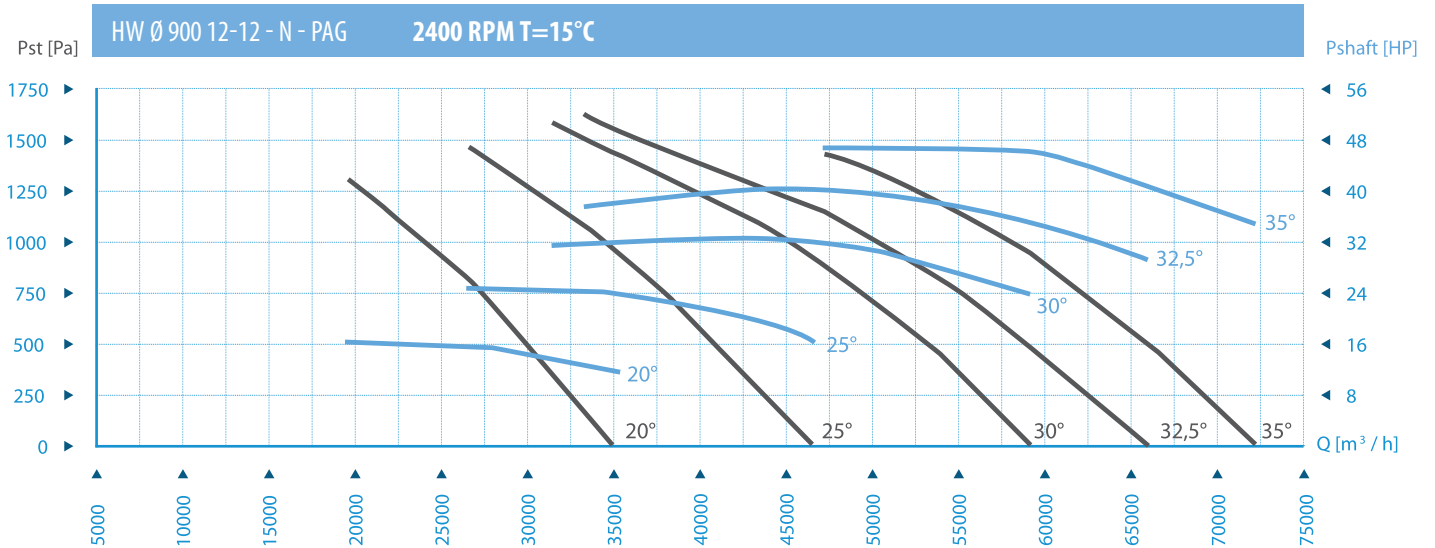
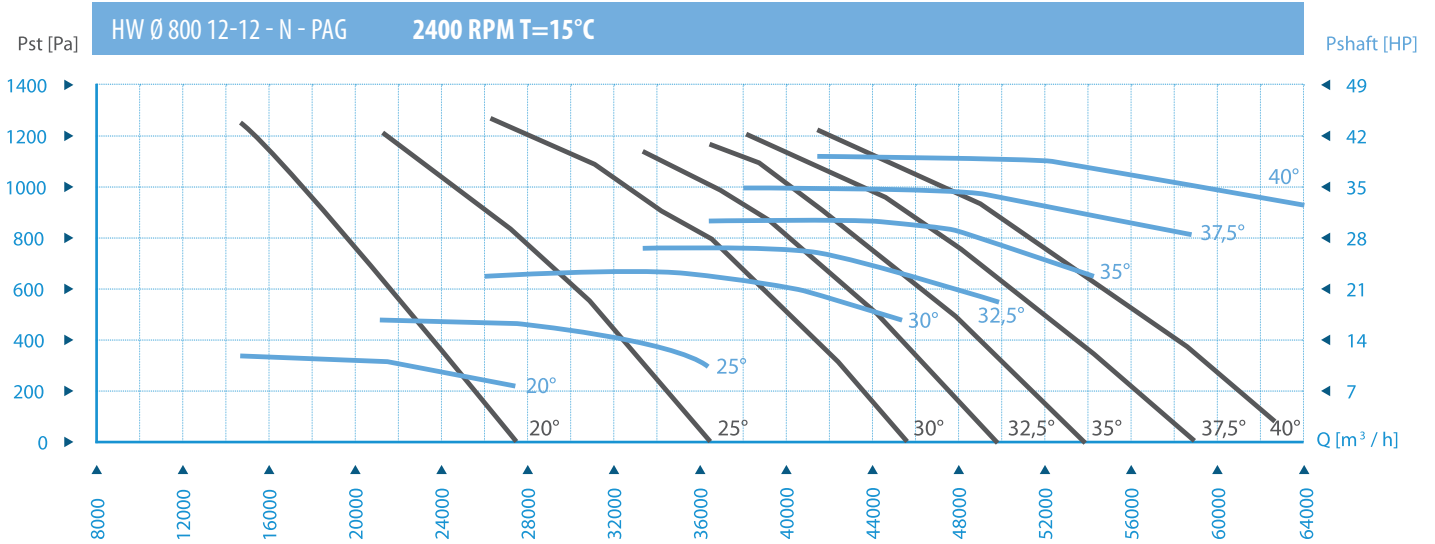


CLUTCH FRICTION MATERIAL SPECIFICATIONS

Specific gravity 2,30 g/cm³
 Rubbing pressure 5-100 N/cm²
 Rubbing speed < 20 m/s
 Average friction coefficient 0,45 μ

INNOVATIVE CATIONIC EPOXY ELECTROCOATING

- Excellent corrosion-resistance without heavy metals
- Improved edge coverage
- Excellent resistance to chemicals





HW VENTILATION s.r.l.

Viale dei Kennedy 81-83
20027 Rescaldina (MI) - ITALY
Tel. +39 0331 1558 815
info@hwventilation.it
www.hwventilation.it



hwventilation.it